

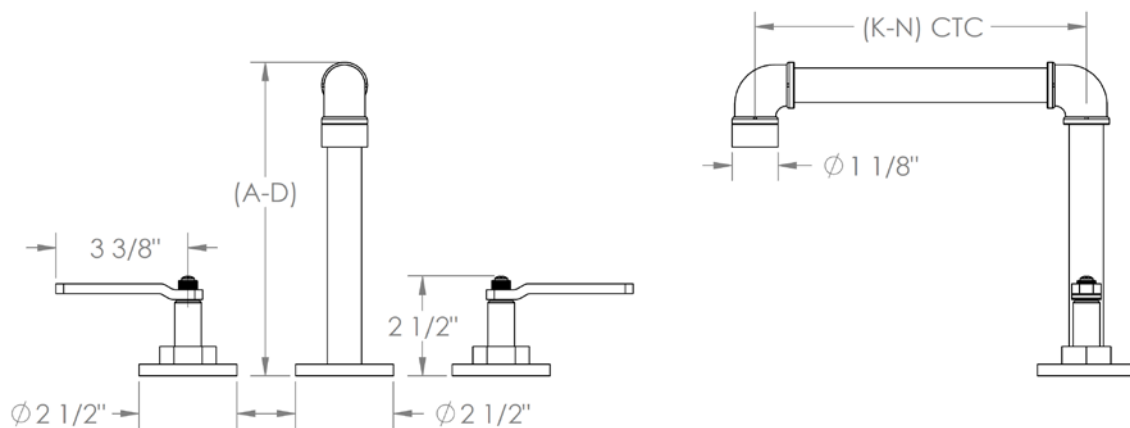
**38-8-\_-EV4**

**Deck Mounted 3 Hole Bath Set**

Note: Please specify ( A-D, K-N)



HEIGHT	PROJECTION
A = 4"	K = 5.5"
B = 6"	L = 6.5"
C = 8"	M = 7.5"
D = 10"	N = 8.5"



Meets the applicable requirements of ASME A112.18.1-2005/CSA B125.1-05, entitled "Plumbing Supply Fittings"

**WATERMARK DESIGNS 6/29/2018**

350 Dewitt Ave Brooklyn NY 11207 USA T 718 257 2800 F 718 257 2144 info@watermark-designs.com