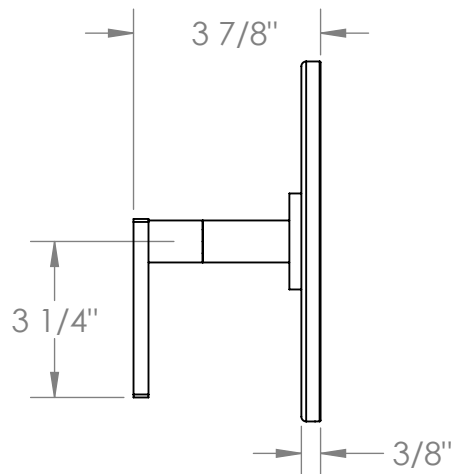
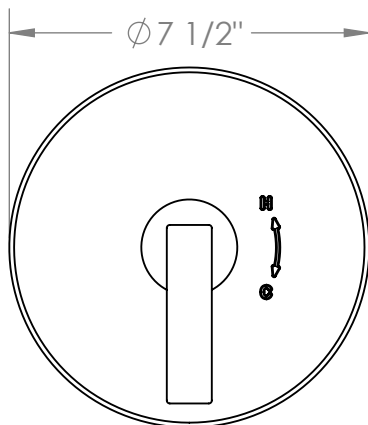
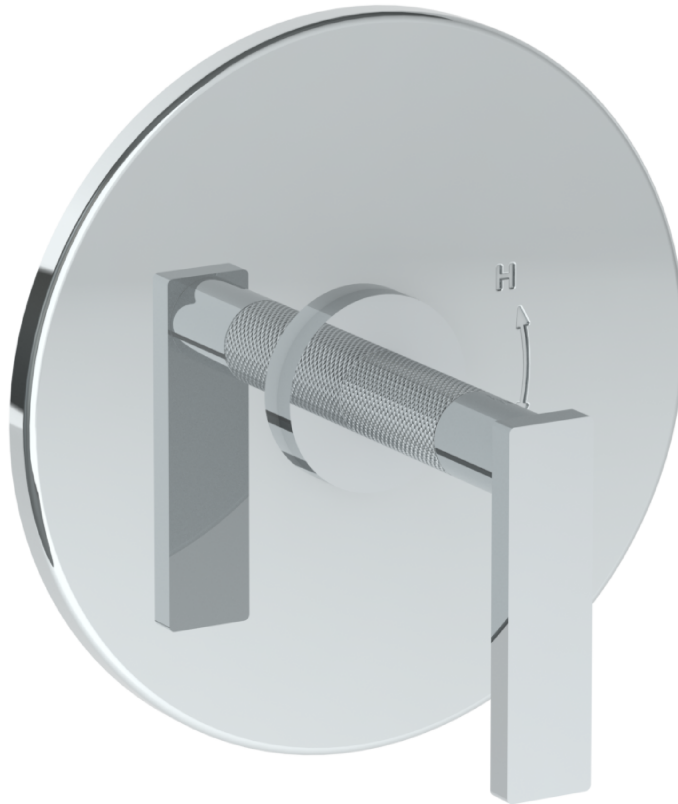


70-P80-RNK8

Pressure Balance Shower Trim

For use with SS-PB75 pressure balance valve



Meets the applicable requirements of ASME A112.18.1-2005/CSA B125.1-05, entitled "Plumbing Supply Fittings"